

Presented By **[Your Logo]**

Address **[Your Company]**  
 [Your Building]  
 [Your Road]  
 [Your City]

Contact **[+44(0)123 4567 890]**  
 [YourEmail@YourWebsite.co.uk]  
 [www.YourWebsite.co.uk]

Cable Example	Detail
N1-??-??	Cable Type (see below)
??-AA-??	Head End (The location the cable runs to)
??-??-14	Cable Number (A unique cable number)
N1-AA-14	A CAT5 cable number 14 to the Equipment Rack

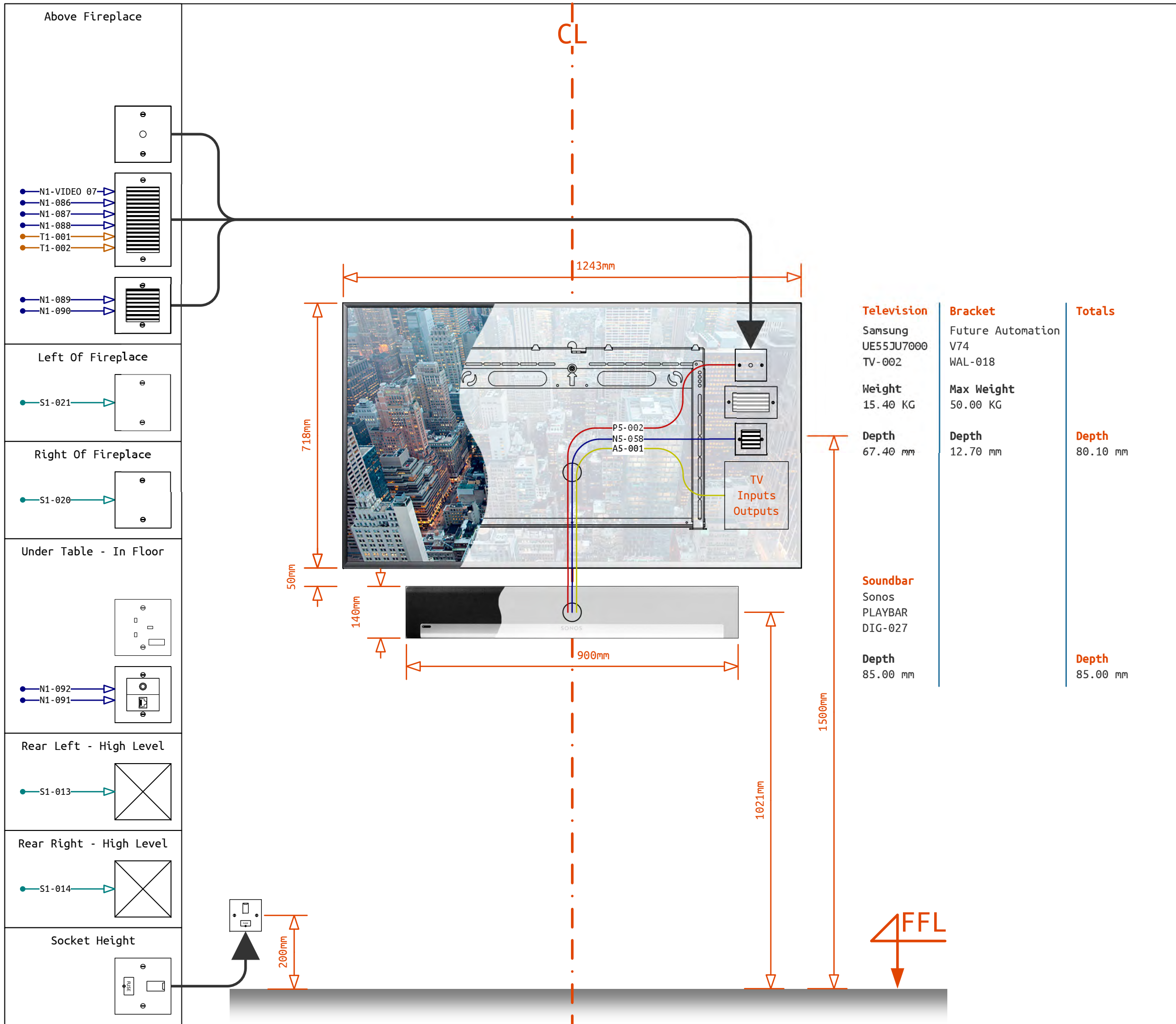
Cables	Power	Network	Control	Video	Audio	Aerial	Speaker
P1-??-??	3 CORE 1.0MM						
P5-??-??	PRE TERMINATED MAINS PATCH CABLE						
N1-??-??		CAT6 U/UTP					
N5-??-??		PRE TERMINATED CAT6 PATCH CABLE					
C1-??-??			2 PAIR + DC				
C5-??-??			CONTROL PATCH CABLE				
V1-??-??				HDMI-15M			
V5-??-??				HDMI VIDEO PATCH CABLE			
A1-??-??					2 CORE + SCREEN		
A5-??-??					AUDIO PATCH CABLE		
T1-??-??						75 OHM	
T5-??-??						AERIAL/SATELLITE PATCH CABLE	
S1-??-??							2 CORE 1.5MM
S2-??-??							4 CORE 2.5MM
S5-??-??							PRE TERMINATED SPEAKER PATCH CABLE

Destinations & Tails	3 Meters	5 Meters
??-AA-??	Local cabling within room	
??-BB-??	Local power	
??-CC-??	Aerial Distribution system	
??-DD-??	Equipment Rack 01 - Top	

PLEASE LABEL ALL CABLES AND LEAVE THE TAILS LENGTHS DETAILED ABOVE PER LOCATION.

Status	For Approval	Scale	1:50 @ A3
Drawn	James Owens	Checked	James Owens
Client	[Your Client]	Project	[Your Project] [Client Property] [Client Road] [Client City]
Title	1F - Living Room - Cabling		
Drawing	14BH-1F-LIV-CBL	Revision	02
		Page	1 of 3



Presented By **[Your Logo]**

Address: **[Your Company]**  
 [Your Building]  
 [Your Road]  
 [Your City]

Contact: [+44(0)123 4567 890]  
 [YourEmail@YourWebsite.co.uk]  
 [www.YourWebsite.co.uk]

Cable Example	Detail
N1-??-??	Cable Type (see below)
??-AA-??	Head End (The location the cable runs to)
??-??-14	Cable Number (A unique cable number)
N1-AA-14	A CAT5 cable number 14 to the Equipment Rack

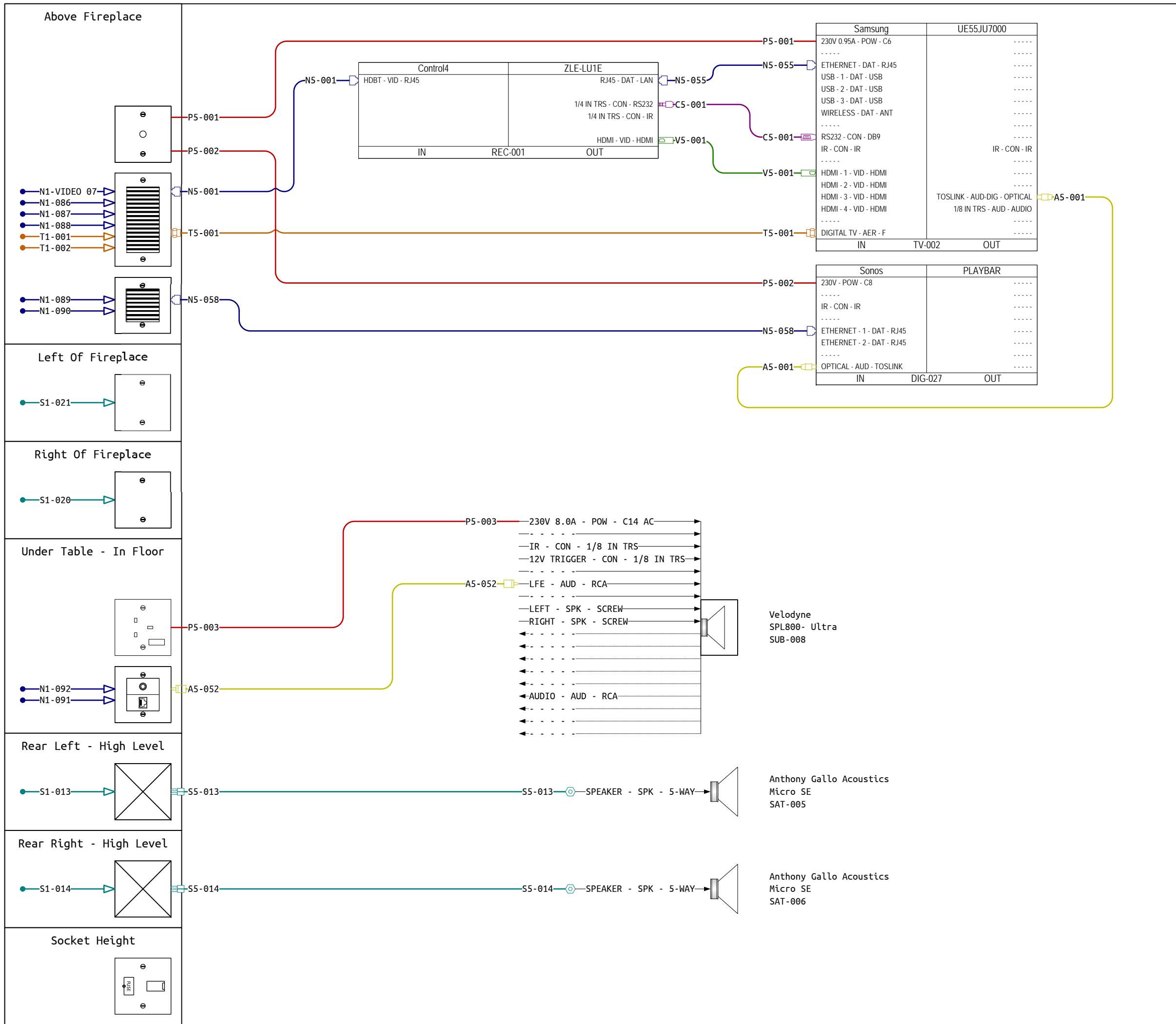
Cables	Power	Network	Control	Video	Audio	Aerial	Speaker
P1-??-??	3 CORE 1.0MM						
P5-??-??	PRE TERMINATED MAINS PATCH CABLE						
N1-??-??		CAT6 U/UTP					
N5-??-??		PRE TERMINATED CAT6 PATCH CABLE					
C1-??-??			2 PAIR + DC				
C5-??-??			CONTROL PATCH CABLE				
V1-??-??				HDMI-15M			
V5-??-??				HDMI VIDEO PATCH CABLE			
A1-??-??					2 CORE + SCREEN		
A5-??-??					AUDIO PATCH CABLE		
T1-??-??						75 OHM	
T5-??-??						AERIAL/SATELLITE PATCH CABLE	
S1-??-??							2 CORE 1.5MM
S2-??-??							4 CORE 2.5MM
S5-??-??							PRE TERMINATED SPEAKER PATCH CABLE

Destinations & Tails	3 Meters	5 Meters
??-AA-??	Local cabling within room	
??-BB-??	Local power	
??-CC-??	Aerial Distribution system	
??-DD-??	Equipment Rack 01 - Top	

PLEASE LABEL ALL CABLES AND LEAVE THE TAILS LENGTHS DETAILED ABOVE PER LOCATION.

Status	For Approval	Scale	1:10 @ A3
Drawn	James Owens	Checked	James Owens
Client	[Your Client]	Project	[Your Project] [Client Property] [Client Road] [Client City]
Title	1F - Living Room - TV Elevation		
Drawing	14BH-1F-LIV-ELV	Revision	02
		Page	2 of 3



Presented By **[Your Logo]**

Address **[Your Company]**  
 [Your Building]  
 [Your Road]  
 [Your City]

Contact **[+44(0)123 4567 890]**  
 [YourEmail@YourWebsite.co.uk]  
 [www.YourWebsite.co.uk]

Cable Example	Detail
N1-??-??	Cable Type (see below)
??-AA-??	Head End (The location the cable runs to)
??-??-14	Cable Number (A unique cable number)
N1-AA-14	A CAT5 cable number 14 to the Equipment Rack

Cables	Power	Network	Control	Video	Audio	Aerial	Speaker
P1-??-??	3 CORE 1.0MM						
P5-??-??	PRE TERMINATED MAINS PATCH CABLE						
N1-??-??		CAT6 U/UTP					
N5-??-??		PRE TERMINATED CAT6 PATCH CABLE					
C1-??-??			2 PAIR + DC				
C5-??-??			CONTROL PATCH CABLE				
V1-??-??				HDMI-15M			
V5-??-??				HDMI VIDEO PATCH CABLE			
A1-??-??					2 CORE + SCREEN		
A5-??-??					AUDIO PATCH CABLE		
T1-??-??						75 OHM	
T5-??-??						AERIAL/SATELLITE PATCH CABLE	
S1-??-??							2 CORE 1.5MM
S2-??-??							4 CORE 2.5MM
S5-??-??							PRE TERMINATED SPEAKER PATCH CABLE

Destinations & Tails	3 Meters	5 Meters
??-AA-??	Local cabling within room	
??-BB-??	Local power	
??-CC-??	Aerial Distribution system	
??-DD-??	Equipment Rack 01 - Top	

PLEASE LABEL ALL CABLES AND LEAVE THE TAILS LENGTHS DETAILED ABOVE PER LOCATION.

Status	For Approval	Scale	NTS
Drawn	James Owens	Checked	James Owens
Client	[Your Client]	Project	[Your Project] [Client Property] [Client Road] [Client City]
Title	1F - Living Room - Schematic		
Drawing	14BH-1F-LIV-SCH	Revision	02
		Page	3 of 3